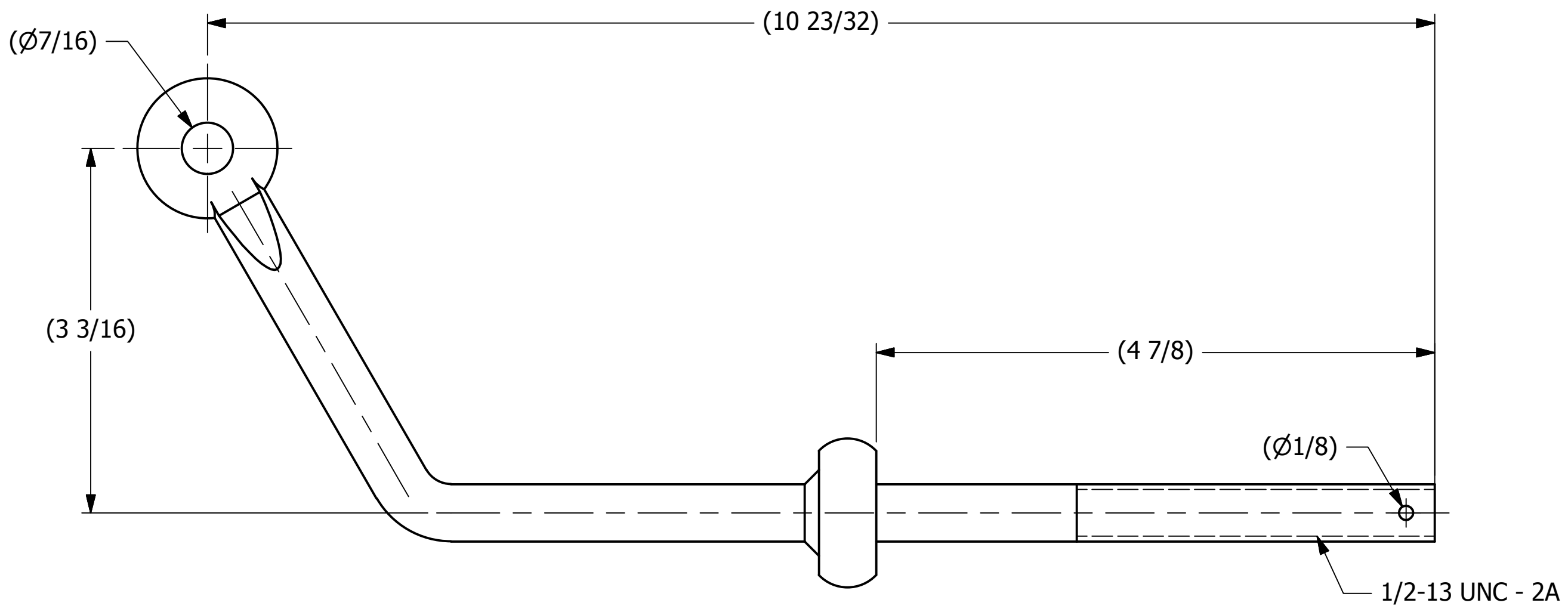


SALES DRAWING

SALES DRAWING



REV	BY	DATE	DESCRIPTION
F	WEB	6-5-19	UPDATED WELD NOTE TO WPS-F01, WPS-F02, WPS-T04, WPS-M01, WPS-M02, WPS-M12, & WPS-M13; ADDED D-005 NOTE
E	WEB	5-3-18	REMOVED CONCAVE GRIND FROM WELD
D	WEB	5-4-17	ADDED DSS 12 NOTE
C	GS	5-30-13	REMOVED WELD. UPDATED A34637ADDED PAINT NOTE.
B	GS	3-12-13	UPDATED WELD SYMBOL.
A	GS	2-20-13	DRAWING RELEASED FOR PRODUCTION

UNLESS OTHERWISE SPECIFIED DIMENSIONAL TOLERANCES		DRAWN BY:	GS
FRACTIONAL:	$\pm 1/16$	CHECKED BY:	VD
X.XX:	$\pm .03$	PROTOTYPE BY:	GS
X.XXX:	$\pm .015$	PROTOTYPE DATE:	11/16/2012
ANGULAR:	$\pm 1^\circ$	APPROVED FOR PRODUCTION BY:	VD
DEBURR ALL SHARP EDGES. ALL MACHINED SURFACES TO HAVE A 125 RMS FINISH UNLESS NOTED OTHERWISE.		PRODUCTION DATE:	11/16/2012
THIRD ANGLE PROJECTION			

PART NAME: <b>LOCK ARM</b>		
MATERIAL: <b>CARBON STEEL</b>		
PROJECT #:	110114	SHEET #: 1 OF 1
SCALE:	1:1	
DRAWING #:	<b>B34638</b>	PART #:
	<b>EA236LA</b>	

THIS PRINT, PROPERTY OF SALCO PRODUCTS INC., CONTAINS PROPRIETARY INFORMATION AND MUST NOT BE COPIED, REPRODUCED, OR USED DETRIMENTALLY TO OUR INTEREST.